

(1) SMR Code	(2) Federal Stock Number	(3) DESCRIPTION	(4) UNIT	(5) Qty	(6) 30-day DS maint	(7) 30-day GS maint	(8) 1-yr	(9) Depot	(10) Illustration	of inc. allowance	allowance	alw maint	per alw	equip 100	Figure No.	(b) Item No.
Reference Number & Mfr. Code			Usable On Code			(a) 1-20	(b) 21-50	(c) 51-100	(a) 1-20	(b) 21-50	(c) 51-100	gcy				
0801-POWER TRANSFER AND FINAL DRIVE ASSEMBLIES-CONTINUED																
P-F	2520-176-8384	COVER,SHIFT CYLINDER: 8758298 (19207)	A	EA	1	*	*	*	*	*	*	3	5	55		14
P-F	5310-145-2085	WASHER,KEY: CYLINDER SHIFT COVER 8327009 (19207)	A	EA	4	*	*	*	*	*	*	6	10	55		15
P-F	5305-071-2231	SCREW CAP HEXAGON: CYLINDER SHIFT COVER MS90725-20 (96906)	A	EA	4	*	*	*	*	*	*	6	10	55		16
X1		NUT,PLAIN: SHAFT 503356 (21450)	A		1									55		17
X1		WASHER: SHAFT 446212 (31007)	A		1									55		18
P-F	5330-286-6815	SEAL PLAIN ENCASED: HIGH AND LOW RANGE SHIFTER SHAFT 500021 (21450)	A	EA	1	*	*	*	*	*	*	10	100	55		19
P-F	2520-591-5827	SHAFT, GEAR SHIFT FORK: 7998650 (19207)	A	EA	1	*	*	*	*	*	*	8	10	55		20
X2-F		BALL,DETENT: GEAR SHIFT FORK SHAFT 104291 (21450)	A	EA	1	*	*	*	*	*	*			55		21
P-F	5315-276-7703	PIN,STRAIGHT,HEADED: HIGH AND LOW RANGE SHIFTER SHAFT, DETENT BALL 5143782 (19207)	A	EA	1	*	*	*	*	*	*	6	10	55		22
P-F	2520-692-6085	SPRING,HELICAL COMPRESSION: HIGH AND LOW RANGE SHIFTER SHAFT DETENT BALL 7521387 (19207)	A	EA	1	*	*	*	*	*	*	6	10	55		23
P-F	5305-695-7174	SETScrew: TRANSFER INPUT AND OUTPUT SHIFTER SHAFTS 7521390 (19207)	A	EA	1	*	*	*	*	*	*	6	10	55		24
P-F	2520-953-9908	SHIFTER,FORK: HIGH AND LOW RANGE 7748586 (19207)	A	EA	1	*	*	*	*	*	*	8	10	55		25
P-F	5305-752-1391	SETScrew: TRANSFER INPUT AND OUTPUT SHIFTER SHAFTS 7521391 (19207)	A	EA	1	*	*	*	*	*	*	6	10	55		26
P-F	5315-059-0184	PIN,COTTER: SHAFT MS24665-361 (96906)	A	EA	1	*	*	*	*	*	*	8	10	56		1
P-F	5310-492-9631	NUT,SLOTTED,HEXAGON: 5143813 (76040)	A	EA	1	*	*	*	*	*	*	6	10	56		2
P-F	5310-188-4195	WASHER,FLAT: OUTPUT, SHAFT 15235 (76894)	A	EA	1	*	*	*	*	*	*	6	10	56		3

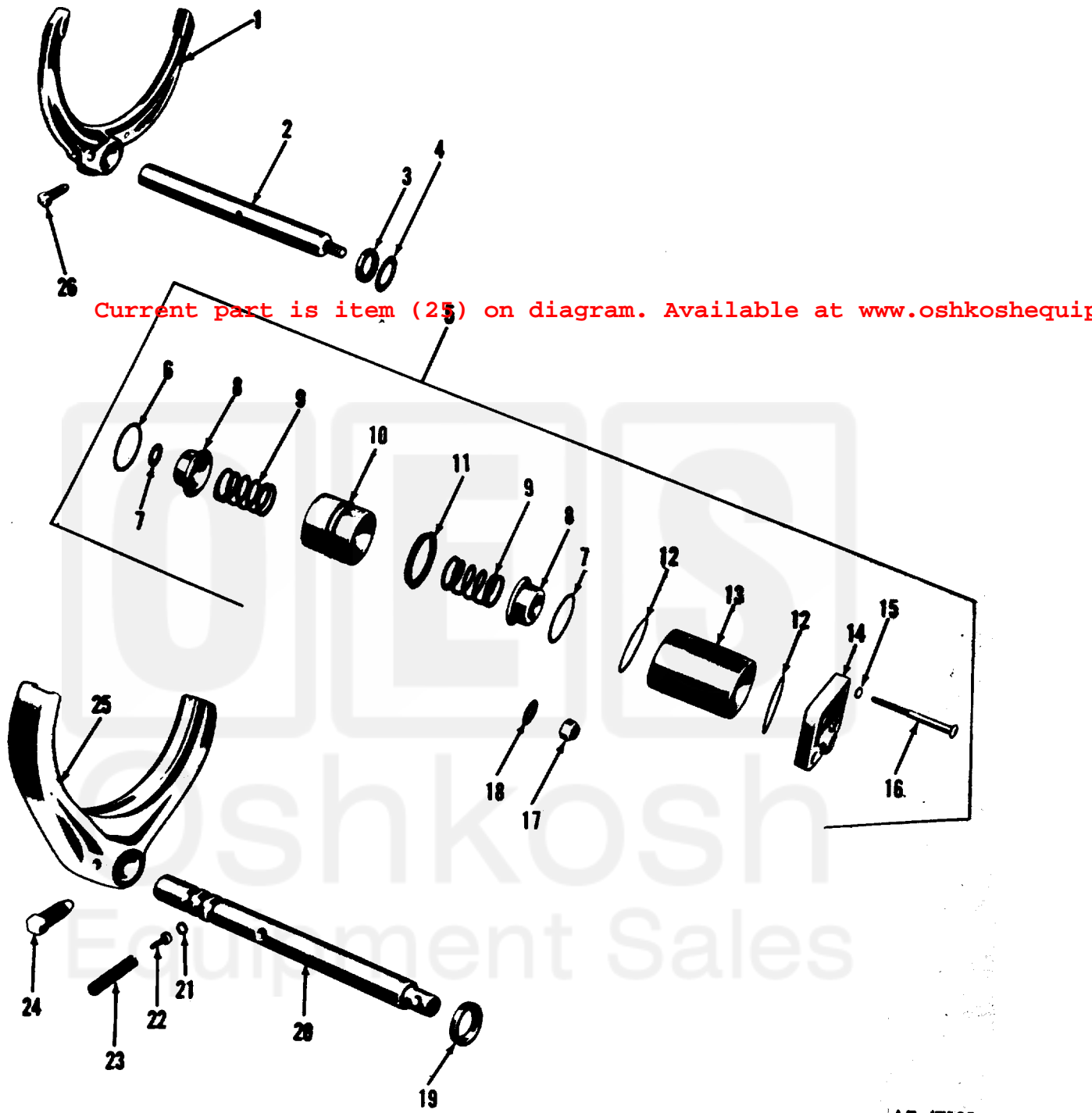


Figure 55. Input and output shifter shafts.

AT 47195